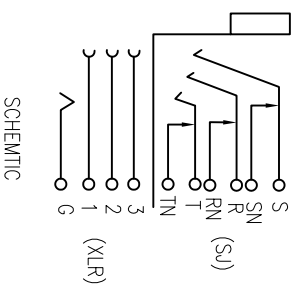
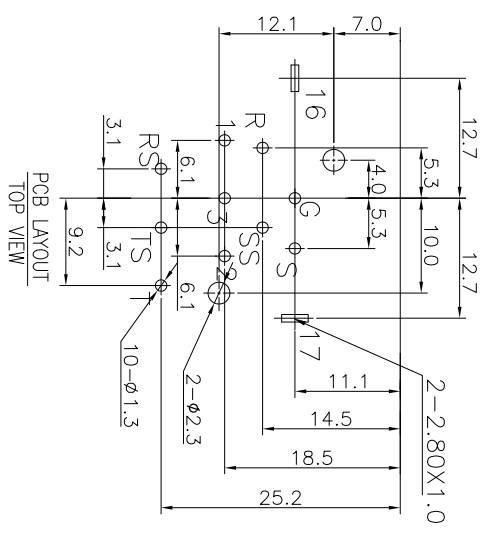
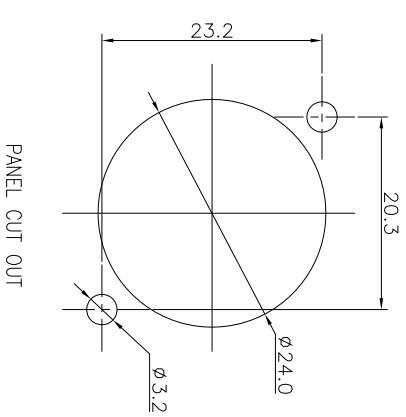
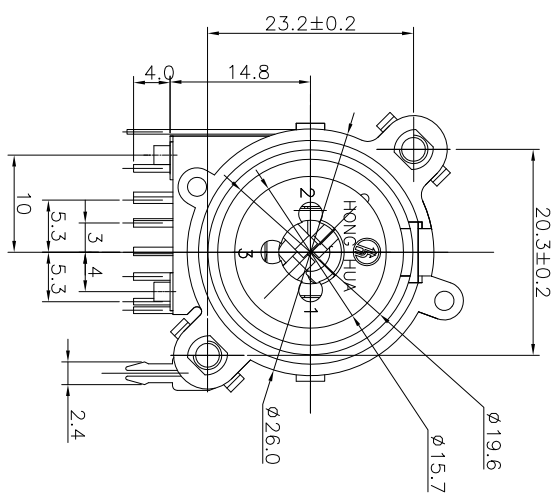
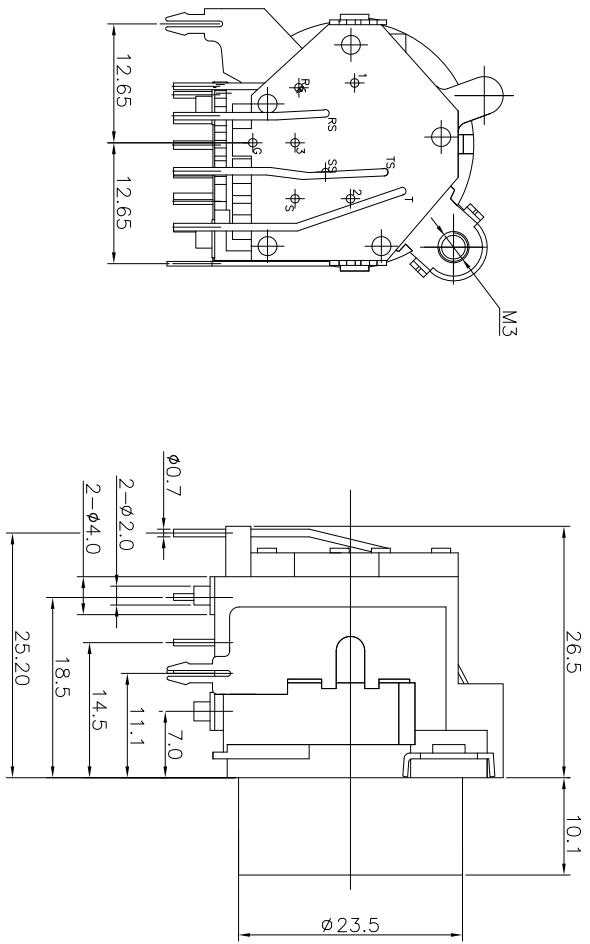


REV.	ECN NO.	MODIFIED MARK	APPROVED
A		FIRST RELEASE	



- NOTES:
- ELECTRICAL:
- 1:RATED CURRENT: 7.5 A MAX.
  - 2:RATED VOLTAGE: 50 V AC.
  - 3:CONTACT RESISTANCE: XLR: 30 MILLIOHMS MAX. JACK:30 MILLIOHMS MAX.
  - 4:INSULATION RESISTANCE: 1 G OHMS MIN.
  - 5:DIELECTRIC WITHSTANDING VOLTAGE: 500 VAC MIN.
- MECHANICAL:
- 1:INSERTION FORCE: 5N~40N
  - 2:WITHDRAWAL FORCE: 5N~40N.
  - 4:DURRABILITY: 1000 CYCLES.
- ENVIRONMENTAL:
- TEMPERATURE RANGE: -30°C TO 80°C.

ANGLE	±5°	MODEL NAME:	SPC-03D-10P	 <b>广东正宝科技有限公司</b> GUANGDONG TREMPRO TECHNOLOGY CO., LTD.	
63 < L	±0.5	(PART NO.)			
16 < L ≤ 63	±0.4	DESIGN:	X.H.Wang 09/19'18	TITLE:	XLR CABLE CONNECTORS
4 < L ≤ 16	±0.3	FINISH:	See table	DWG NO.:	
L ≤ 4	±0.2	MAT'L:	See table	UNIT:	mm
TOL TABLE:		Q'TY: /	APPROVED: X.Q.Hu 09/19'18	VIEW:	SCALE: 5:1
THIS DOCUMENT IS THE PROPERTY OF TREMPRO TECHNOLOGY CO., LTD. NO PART THEREOF MAY BE REPRODUCED AND USED WITHOUT THE PRIOR WRITTEN CONSENT OF THE OWNER				SHEET:	1/1
				SIZE:	A3