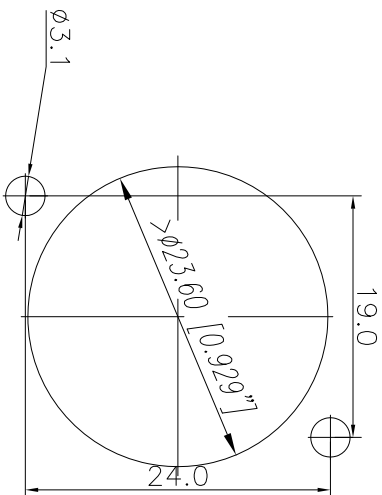


PCB LAYOUT
TOP VIEW



PANEL CUTOUT

- NOTES:
- ELECTRICAL:
- 1:RATED CURRENT: 6A Max.
 - 2:RATED VOLTAGE: 50V AC.
 - 3:CONTACT RESISTANCE: 30 MILLIOHMS Max.
 - 4:INSULATION RESISTANCE: 1G OHMS Min.
 - 5:DIELECTRIC WITHSTANDING VOLTAGE: 500 VAC Min.
- MECHANICAL:
- 1:INSERTION FORCE: 5N-40N.
 - 2:WITHDRAWAL FORCE: 5N-40N.
 - 3:DURABILITY: 1000 CYCLES.
- ENVIRONMENTAL:
- TEMPERATURE RANGE: -30°C TO 80°C.

ANGLE	±5°
63 < L	±0.5
16 < L ≤ 63	±0.4
4 < L ≤ 16	±0.3
L ≤ 4	±0.2

TOL TABLE:

THIS DOCUMENT IS THE PROPERTY OF
TERPRO TECHNOLOGY CO., LTD., NO PART
HEREOF MAY BE REPRODUCED AND
USED WITHOUT THE PRIOR WRITTEN
CONSENT OF THE OWNER

MODEL NAME: SPF4-31A
(PART NO.)

广东正宝科技有限公司
GUANGDONG TERPRO TECHNOLOGY CO., LTD.

DESIGN: X.H.Wong 08/31'18 TITLE: XLR CABLE CONNECTORS

CHECKED: L.W.Wu 08/31'18 DWG NO.:

APPROVED: X.Q.Hu 08/31'18 UNIT: mm VIEW: SCALE: SHEET: SIZE: REV.:
1/1 A A3

REV.	ECN NO.	MODIFIED MARK	APPROVED
A		FIRST RELEASE	