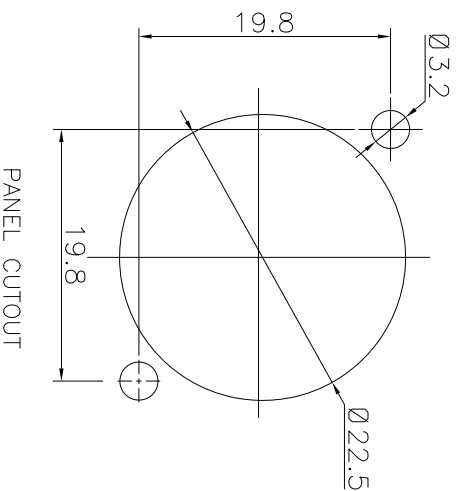
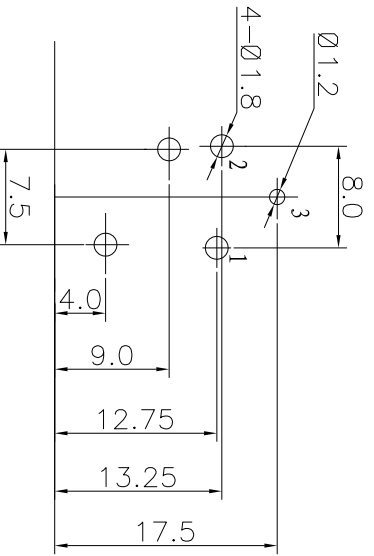
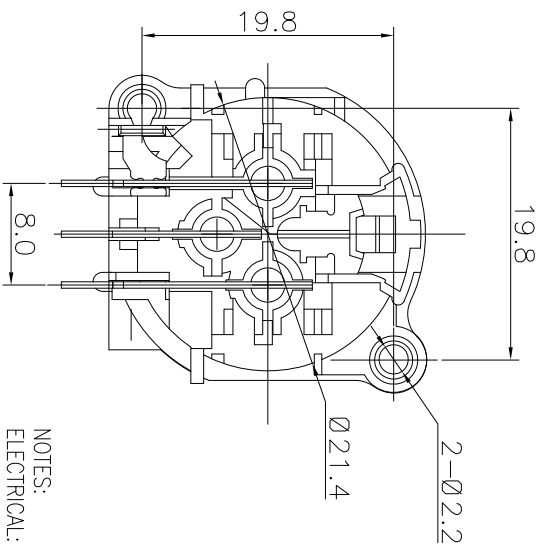
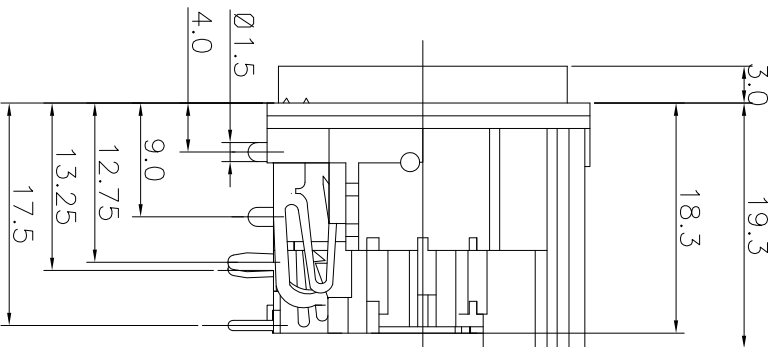
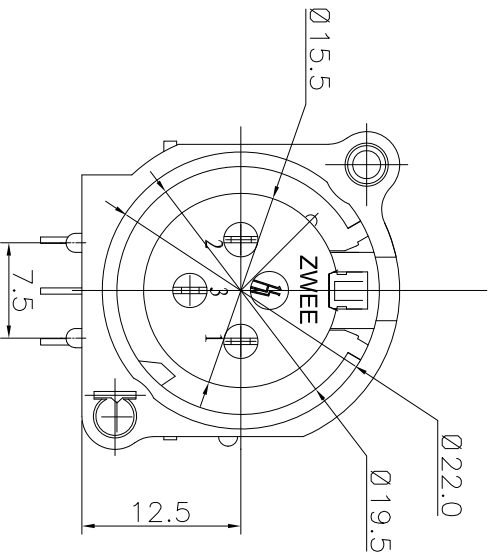



REV.	ECN NO.	MODIFIED MARK	APPROVED
A		FIRST RELEASE	



- NOTES:
- ELECTRICAL:
- 1: RATED CURRENT: 6A Max.
  - 2: RATED VOLTAGE: 50V AC.
  - 3: CONTACT RESISTANCE: 30 MILLIOHMS Max.
- AFTER TESTING: 60 MILLIOHMS Max.
- MECHANICAL:
- 1: INSERTION FORCE: 5N-40N.
  - 2: WITHDRAWAL FORCE: 5N-40N.
  - 3: DURABILITY: 1000 CYCLES.
- ENVIRONMENTAL:
- TEMPERATURE RANGE:  $-30^{\circ}\text{C}$  TO  $80^{\circ}\text{C}$ .
- 4: INSULATION RESISTANCE: 1G OHMS Min.
- 5: DIELECTRIC WITHSTANDING VOLTAGE: 500 VAC Min.

PCB LAYOUT  
TOP VIEW

ANGLE	$\pm 5^{\circ}$	MODEL NAME: SPF-24 (PART NO.)	 广东正宝科技有限公司 GUANGDONG TRENPRO TECHNOLOGY CO., LTD.
$63 < L$	$\pm 0.5$	MAT'L: DESIGN: X.H.Wong 08/31'18	
$16 < L \leq 63$	$\pm 0.4$	FINISH: CHECKED: L.W.Wu 08/31'18	TITLE: XLR CABLE CONNECTORS
$4 < L \leq 16$	$\pm 0.3$	See table	DWG NO.:
$L \leq 4$	$\pm 0.2$	QTY: /	UNIT: mm

TOL TABLE:

THIS DOCUMENT IS THE PROPERTY OF TRENPRO TECHNOLOGY CO., LTD. NO PART THEREOF MAY BE REPRODUCED AND USED WITHOUT THE PRIOR WRITTEN CONSENT OF THE OWNER

APPROVED: X.Q.Hu 08/31'18

SCALE: 5:1

SHEET: 1/1

SIZE: A3

REV.: A