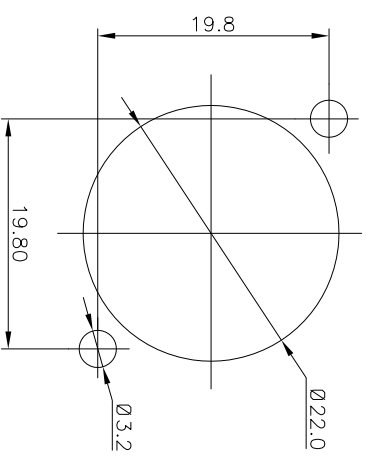
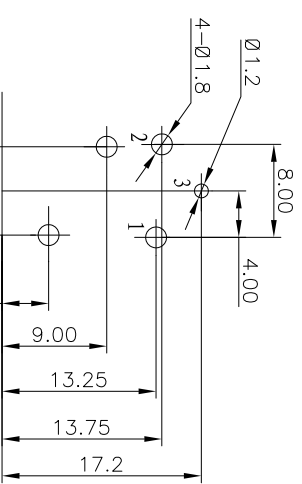
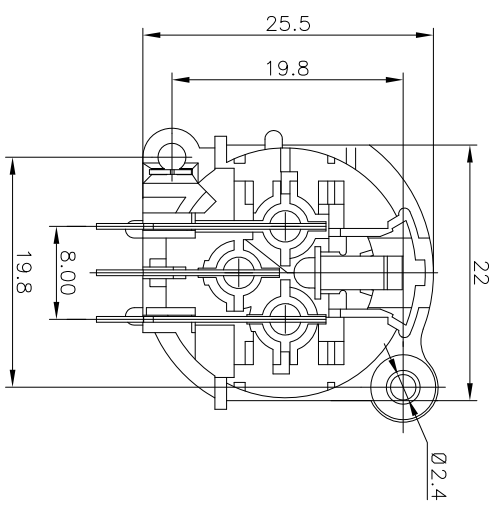
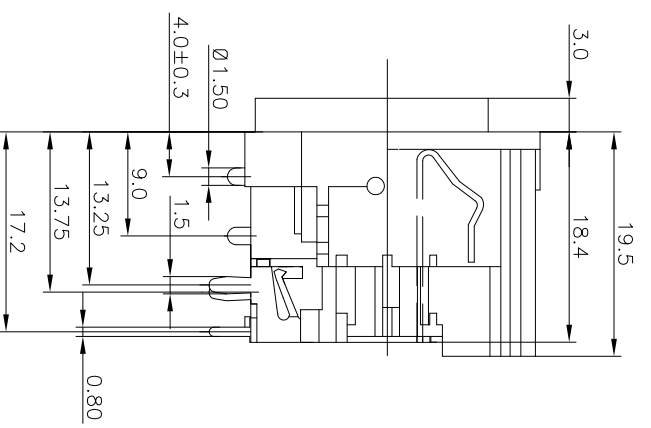
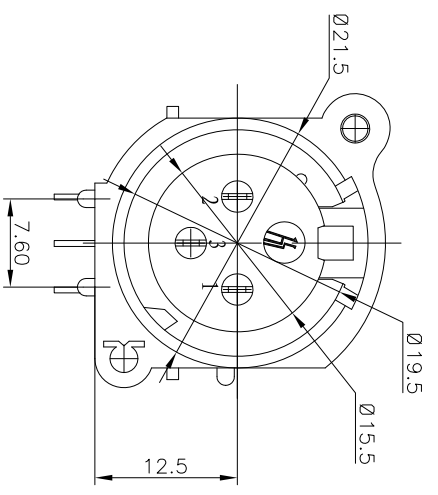


REV.	ECN NO.	MODIFIED MARK	APPROVED
A		FIRST RELEASE	

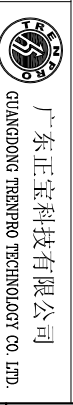


NOTES:
 ELECTRICAL:
 1:RATED CURRENT: 6A Max.
 2:RATED VOLTAGE: 50V AC.
 3:CONTACT RESISTANCE: 30 MILLIOHMS Max.
 AFTER TESTING:60 MILLIOHMS Max.
 4:INSULATION RESISTANCE: 1G OHMS Min.
 5:DIIELECTRIC WITHSTANDING VOLTAGE: 500 VAC Min.
 MECHANICAL:
 1:INSERTION FORCE: 5N-40N.
 2:WITHDRAWAL FORCE: 5N-40N.
 3:DURRABILITY: 1000 CYCLES.
 ENVIRONMENTAL:
 TEMPERATURE RANGE: -30°C TO 80°C.

ANGLE	±5°
63 < L	±0.5
16 < L ≤ 63	±0.4
4 < L ≤ 16	±0.3
L ≤ 4	±0.2

TOL TABLE:
 THIS DOCUMENT IS THE PROPERTY OF
 TREPRO TECHNOLOGY CO., LTD.,NO PART
 THEREOF MAY BE REPRODUCED AND
 USED WITHOUT THE PRIOR WRITTEN
 CONSENT OF THE OWNER

MODEL NAME: SPF-07 (PART NO.)	DESIGN: X.H.Wong 08/16'18	TITLE: XLR CABLE CONNECTORS	REV.: A
MAT'L: See table	CHECKED: L.W.Wu 08/16'18	DWG NO.:	
FINISH: See table	APPROVED: X.Hu 08/16'18	UNIT: mm	VIEW:
Q'TY: /		SCALE: 5:1	SHEET: 1/1
			SIZE: A3



1 2 3 4 5 6 7 8

H G F E D C B A