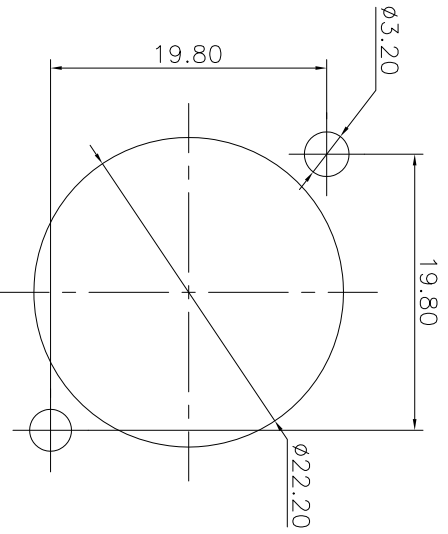
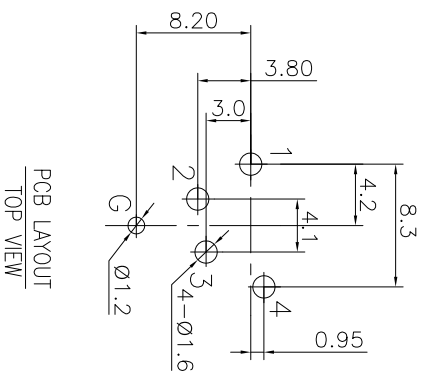
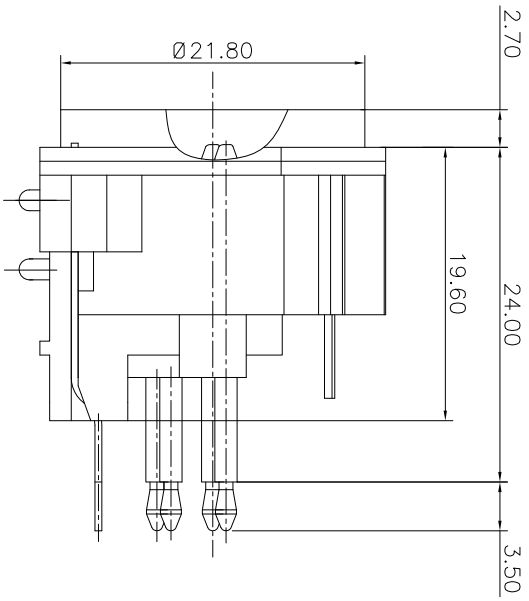
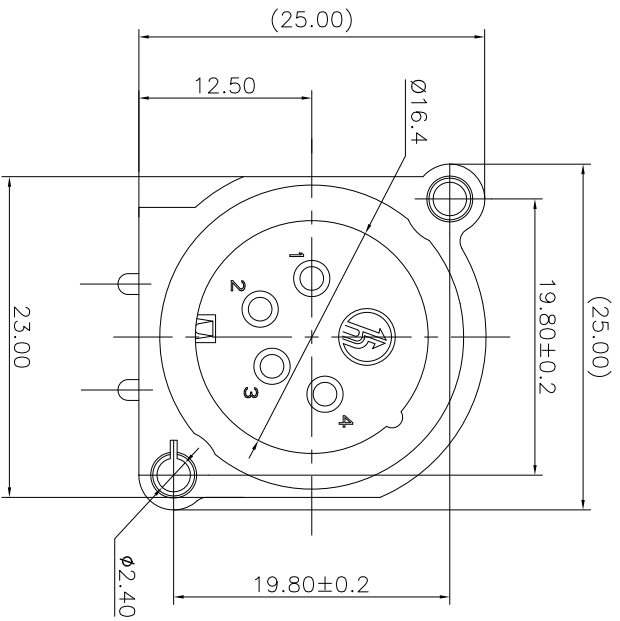


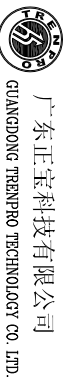
| | | | |
|------|---------|---------------|----------|
| REV. | ECN NO. | MODIFIED MARK | APPROVED |
| A | | FIRST RELEASE | |



NOTES:
 ELECTRICAL:
 1: RATED CURRENT: 6A Max.
 2: RATED VOLTAGE: 50V AC.
 3: CONTACT RESISTANCE: 30 MILLIOHMS Max.
 AFTER TESTING: 60 MILLIOHMS Max.
 4: INSULATION RESISTANCE: 1G OHMS Min.
 5: DIELECTRIC WITHSTANDING VOLTAGE: 500 VAC Min.
 MECHANICAL:
 1: INSERTION FORCE: 5N-40N.
 2: WITHDRAWAL FORCE: 5N-40N.
 3: DURABILITY: 1000 CYCLES.
 ENVIRONMENTAL:
 TEMPERATURE RANGE: -30°C TO 80°C.

| | |
|-------------|------|
| ANGLE | ±5° |
| 63 < L | ±0.5 |
| 16 < L ≤ 63 | ±0.4 |
| 4 < L ≤ 16 | ±0.3 |
| L ≤ 4 | ±0.2 |

| | |
|---|-----------|
| TOL TABLE: | |
| THIS DOCUMENT IS THE PROPERTY OF TRENPRO TECHNOLOGY CO., LTD. NO PART THEREOF MAY BE REPRODUCED AND USED WITHOUT THE PRIOR WRITTEN CONSENT OF THE OWNER | |
| MODEL NAME: SPM4-23D (PART NO.) | |
| MAT'L: | See table |
| FINISH: | See table |
| Q'TY./: | |
| DESIGN: X.H.Wang | 08/16/18 |
| CHECKED: L.W.Wu | 08/16/18 |
| APPROVED: Q.Hu | 08/16/18 |
| TITLE: XLR CABLE CONNECTORS | |
| DWG NO.: | |
| VIEW: | |
| SCALE: 5:1 | |
| SHEET: 1/1 | |
| SIZE: A3 | |
| REV.: | A |



PANEL CUT OUT