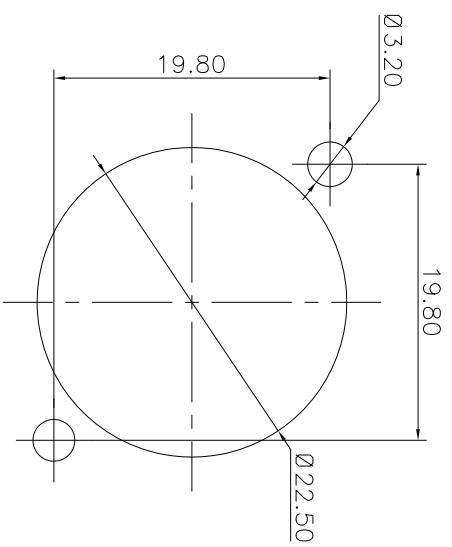
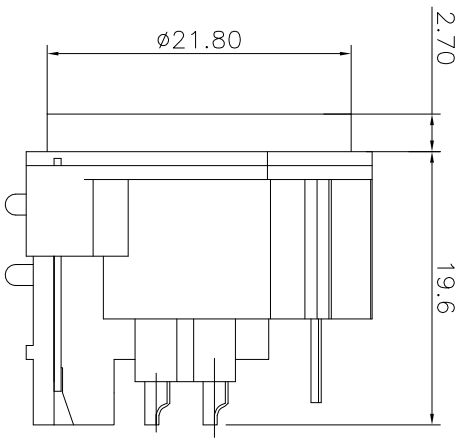
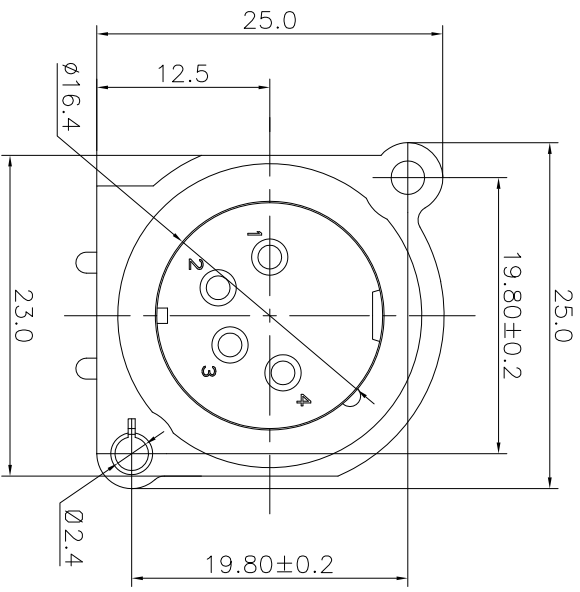


REV.	ECN NO.	MODIFIED MARK	APPROVED
A		FIRST RELEASE	



PANEL CUT OUT

- NOTES:
- ELECTRICAL:
- 1:RATED CURRENT: 6A Max.
 - 2:RATED VOLTAGE: 50V AC.
 - 3:CONTACT RESISTANCE: 30 MILLIOHMS Max.
 - 4:INSULATION RESISTANCE: 1G OHMS Min.
 - 5:IELECTRIC WITHSTANDING VOLTAGE: 500 VAC Min.
- MECHANICAL:
- 1:INSERTION FORCE: 5N-40N.
 - 2:WITHDRAWAL FORCE: 5N-40N.
 - 3:DURABILITY: 1000 CYCLES.
 - ENVIRONMENTAL:
 - TEMPERATURE RANGE: -30°C TO 80°C.

ANGLE	±5°
63 < L	±0.5
16 < L ≤ 63	±0.4
4 < L ≤ 16	±0.3
L ≤ 4	±0.2

TOL TABLE:

THIS DOCUMENT IS THE PROPERTY OF TREPRO TECHNOLOGY CO., LTD. NO PART THEREOF MAY BE REPRODUCED AND USED WITHOUT THE PRIOR WRITTEN CONSENT OF THE OWNER

MODEL NAME: SPM4-23B (PART NO.)	DESIGN: X.H.Wong	TITLE: XLR CABLE CONNECTORS
FINISH: See table	CHECKED: L.W.Wu	DWG NO.:
Q'TY: /	APPROVED: Q.Hu	DATE: 08/16/18

广东正宝科技有限公司
GUANGDONG TREPRO TECHNOLOGY CO. LTD.

UNIT: mm	VIEW:	SCALE: 5:1	SHEET: 1/1	SIZE: A3
----------	-------	------------	------------	----------