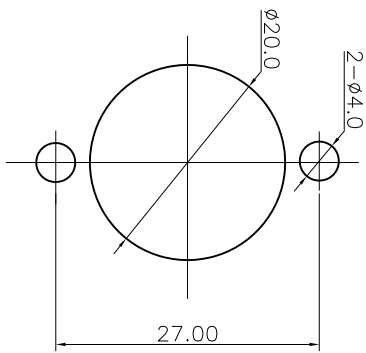
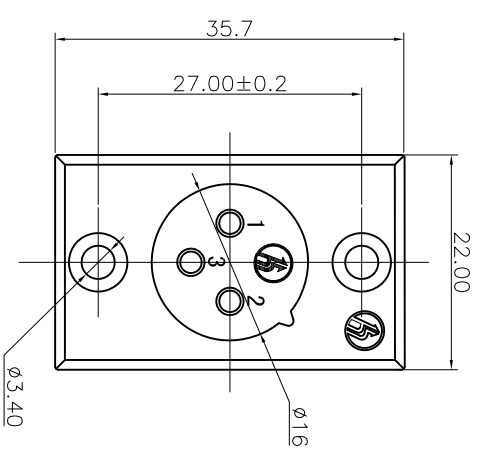
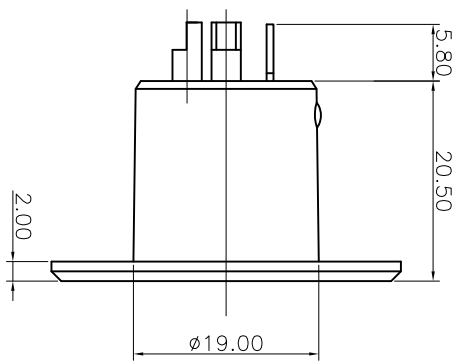
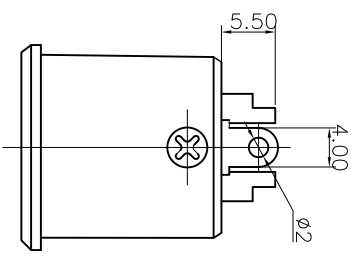


REV.	ECN NO.	MODIFIED MARK	APPROVED
A	—	FIRST RELEASE	



PANEL CUT OUT



NOTES:  
 ELECTRICAL:  
 1: RATED CURRENT: 6A Max.  
 2: RATED VOLTAGE: 50V AC.  
 3: CONTACT RESISTANCE: 30 MILLIOHMS Max.  
 4: INSULATION RESISTANCE: 1G OHMS  
 AFTER TESTING: 60 MILLIOHMS Max.  
 MECHANICAL:  
 5: DIELECTRIC WITHSTANDING VOLTAGE: 500 VAC Min.  
 1: INSERTION FORCE: 5N-40N.  
 2: WITHDRAWAL FORCE: 5N-40N.  
 3: DURABILITY: 1000 CYCLES.  
 ENVIRONMENTAL:  
 TEMPERATURE RANGE: -30°C TO 80°C.

ANGLE	±5°	MODEL NAME: SPM-20 (PART NO.)		TITLE: XLR CABLE CONNECTORS		REV.: A
63 < L	±0.5	MAT'L:	DESIGN: X.H.Wang	08/16/18	DWG NO.:	
16 < L ≤ 63	±0.4	FINISH:	CHECKED: L.W.Wu	08/16/18	UNIT: mm	VIEW: 1/1
4 < L ≤ 16	±0.3	See table	APPROVED: Q.Hu	08/16/18	SCALE: 5:1	SHEET: 1/1
L ≤ 4	±0.2	See table	Q'TY: /			SIZE: A3
TOL TABLE:						
THIS DOCUMENT IS THE PROPERTY OF TRENPRO TECHNOLOGY CO., LTD. NO PART THEREOF MAY BE REPRODUCED AND USED WITHOUT THE PRIOR WRITTEN CONSENT OF THE OWNER						

广东正宝科技有限公司  
 GUANGDONG TRENPRO TECHNOLOGY CO. LTD.