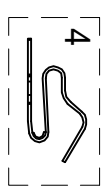
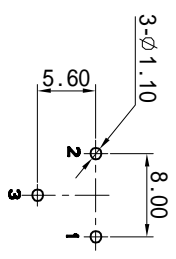
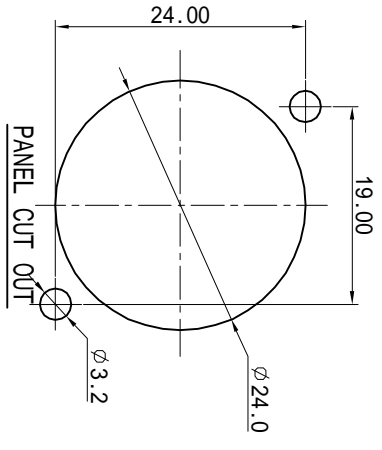
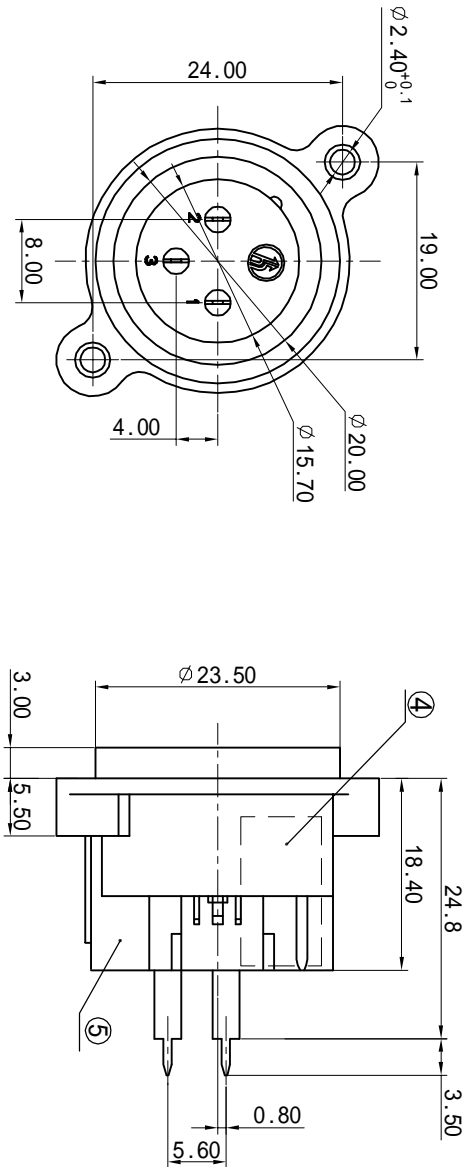


ALLOWANCE	
UNDER 3	± 0.1
3 TO 6	± 0.15
6 TO 15	± 0.2
15 TO 50	± 0.25
50 OVER	± 0.3



Specifications:
 Rating :DC 50V,3A.
 Force:5~40N.
 Contact resistance:
 Less than30m Ω .
 Insulation resistance:
 Over 100M Ω on DC 500V measured.
 Voltage withstand :
 AC 500V,For 1 minute.

5	HOUSE	PAG6-G30	1	BLACK			
4	TERMINAL-G	65Mh	1	NIGRESCENCE	MODEL NO :SPF-06F	ALLOWANCE :	DRAWN BY :
3	TERMINAL-C	BRONZE t=0.5	1	Ag PLATED	TYPE: SP SOCKET	UNIT: mm	CHECKED BY :
2	TERMINAL-B	BRONZE t=0.5	1	Ag PLATED	MATERIAL NO :	SCALE:	APPROVED BY :
1	TERMINAL-A	BRONZE t=0.5	1	Ag PLATED	PROJECTION		
NO :	PART NAME	MATERIAL	QTY	FINISHING			



ZWEE CO., LIMITED