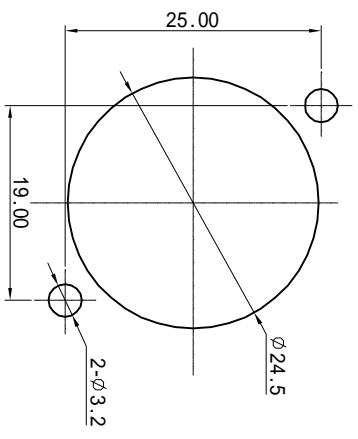
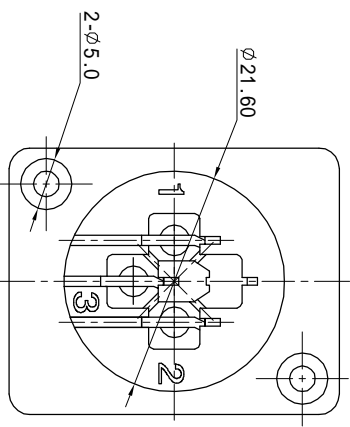
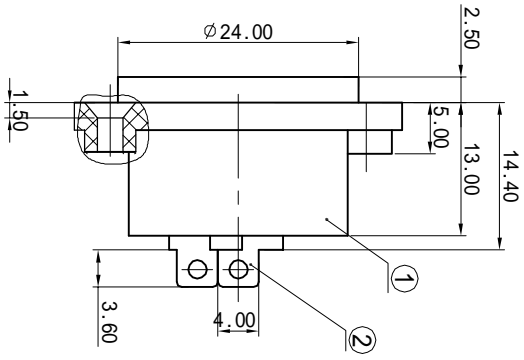
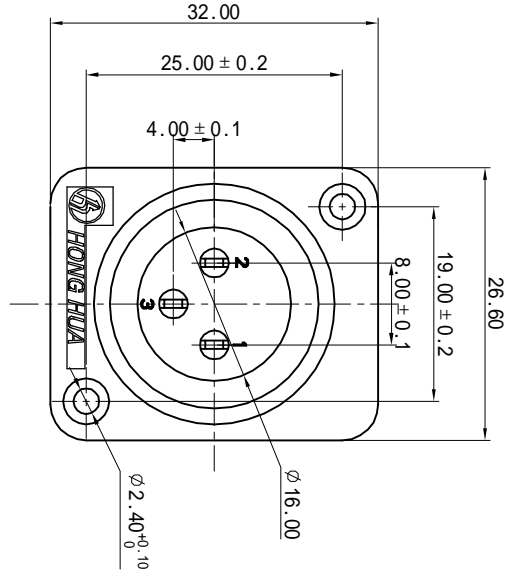
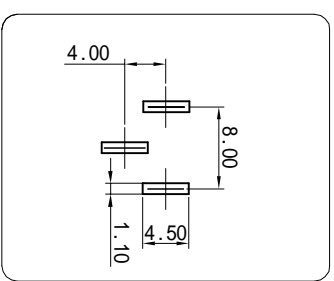


ALLOWANCE	
UNDER 3	± 0.1
3 TO 6	± 0.15
6 TO 15	± 0.2
15 TO 50	± 0.25
50 OVER	± 0.3



Specifications:
 Rating :DC 50V,3A.
 Force:5~40N.
 Contact resistance:
 Less than30m Ω.
 Insulation resistance:
 Over 100M Ω on DC
 500V measured.
 Voltage withstand :
 AC 500V,For 1 minute.



PANEL CUT OUT

2	TERMINAL-A	BRASS t=0.8	3	Ag PLATED	MODEL NO : SPF-03F	ALLOWANCE:	DRAWN BY:
1	HOUSE	PA66-G30	1	BLACK	TYPE: SP SOCKET	UNIT: mm	CHECKED BY:
NO:	PART NAME	MATERIAL	QTY	FINISHING	MATERIAL NO :	SCALE:	APPROVED BY:



ZWEE CO., LIMITED