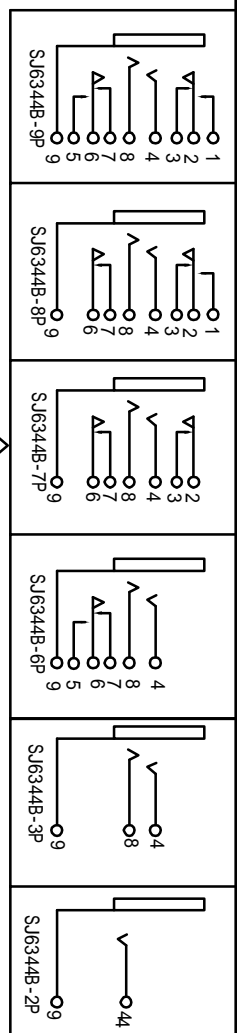
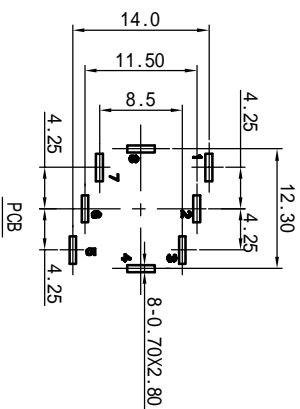
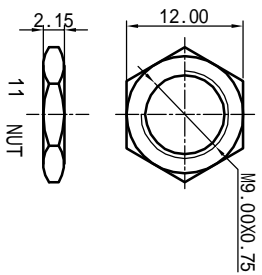
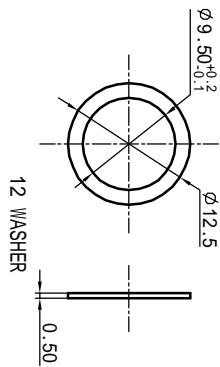
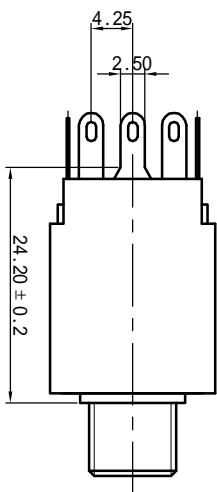
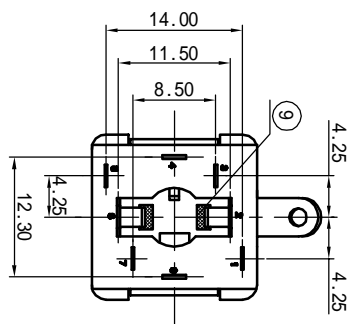
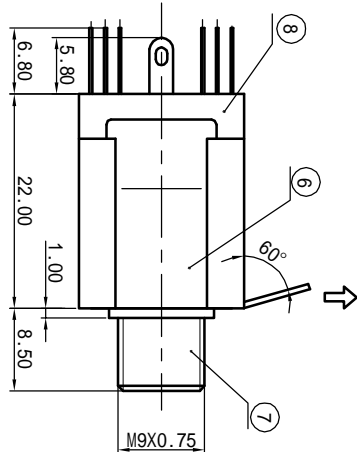
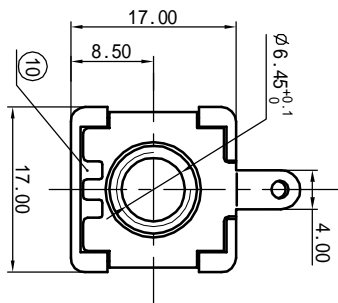


SCHEMATIC:



ALLOWANCE	
UNDER 3	± 0.1
3 TO 6	± 0.15
6 TO 15	± 0.2
15 TO 50	± 0.25
50 OVER	± 0.3



12	WASHER	SPCC &=0.5	1	NI PLATED
11	NUT	BRASS	1	NI PLATED
10	WASHER	EP	1	RED
9	HOUSE -A	PMI	2	BLACK
8	HOUSE	ABS 94HB	1	BLACK
7	SOCKET	BRASS	1	NI PLATED
6	TERMINAL-F	SPCC &=0.6	1	CuSn PLATED
5	TERMINAL-E	BRONZE-t=0.4Y	1	Ag PLATED
4	TERMINAL-D	BRONZE-t=0.4Y	1	Ag PLATED
3	TERMINAL-C	BRASS-t=0.4Y	2	Ag PLATED
2	TERMINAL-B	BRONZE-t=0.3Y	2	Ag PLATED
1	TERMINAL-A	BRONZE-t=0.3Y	2	Ag PLATED
NO:	PART NAME	MATERIAL	QTY	FINISHING

MODEL NO : SJ-6344B	ALLOWANCE:	DRAWN BY:
TYPE: 6.35 PHONE JACK	UNIT: mm	CHECKED BY:
MATERIAL NO :	SCALE:	APPROVED BY:

PROJECTION

ZWEE CO., LIMITED