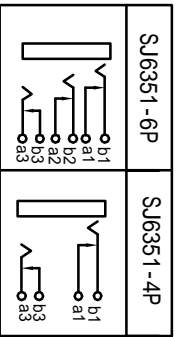
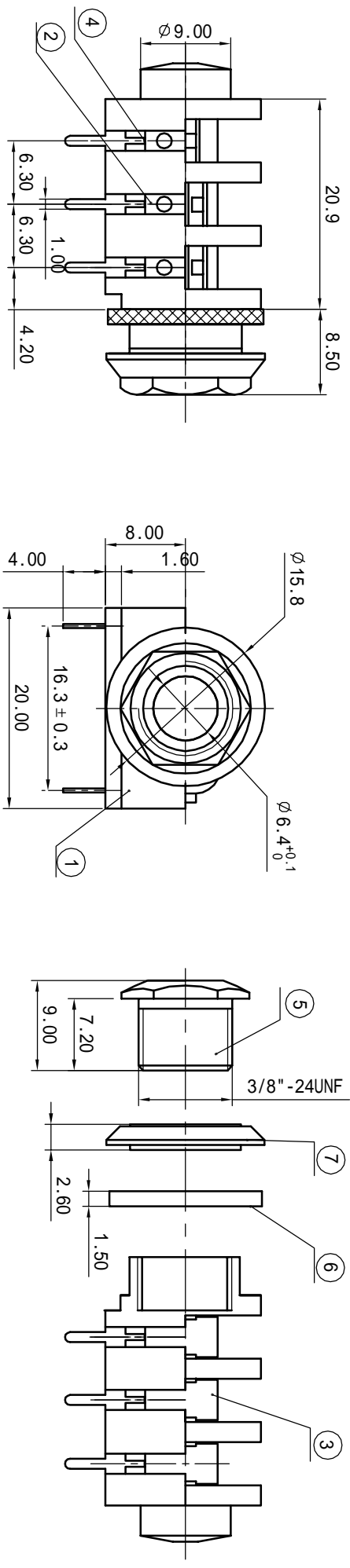
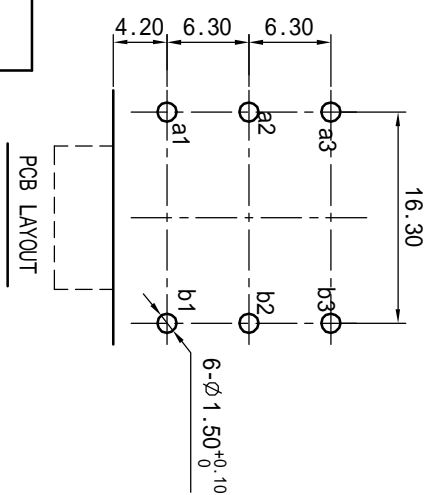


ALLOWANCE	
UNDER 3	± 0.1
3 TO 6	± 0.15
6 TO 15	± 0.2
15 TO 50	± 0.25
50 OVER	± 0.3



SCHEMATIC

NO.	PART NAME	MATERIAL	QTY	FINISHING
7	WASHER-A	ABS 94HB	1	BLACK
6	NUT	BRASS	1	NI PLATED
5	WASHER	PA66	1	BLACK
4	TERMINAL-C	BRASS t=0.4	1	AG PLATED
3	TERMINAL-B	BRONZE t=0.4	3	AG PLATED
2	TERMINAL-A	BRASS t=0.4	2	AG PLATED
1	HOUSE	PA66	1	BLACK



Specifications:
 Rating :DC 50V, 1A.
 Force:5-40N.
 Contact resistance:
 Less than30mΩ.
 Insulation resistance:
 Over 100MΩ on DC 500V
 measured.
 Voltage withstand :
 AC 500V, For 1 minute.

NO.	PART NAME	MATERIAL	QTY	FINISHING	MODEL NO :	ALLOWANCE :	DRAWN BY :
					SJ-6351-6P		
					TYPE :6.35 PHONE JACK	UNIT: mm	CHECKED BY :
					MATERIAL NO :	SCALE:	APPROVED BY :
					PROJECTION		



ZWEE CO., LIMITED