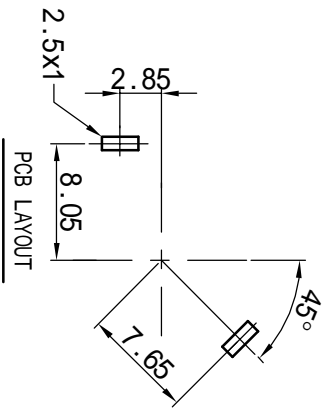
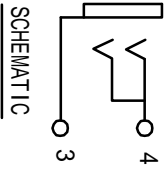
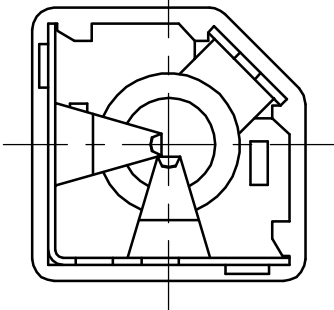
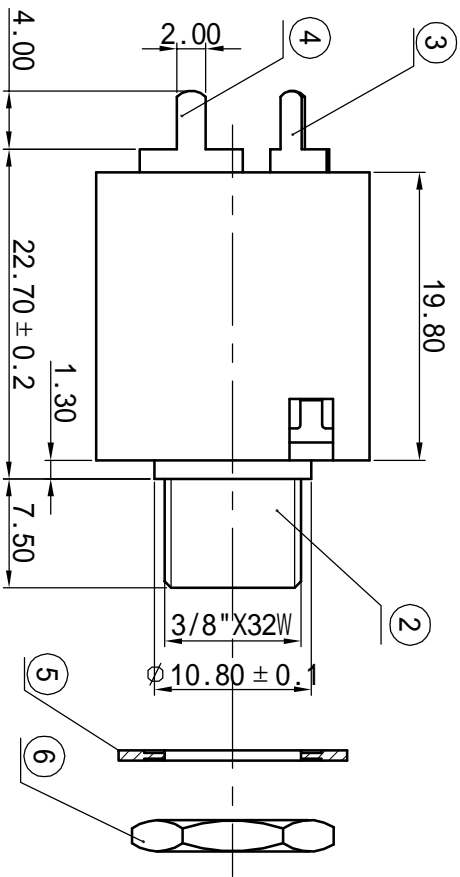
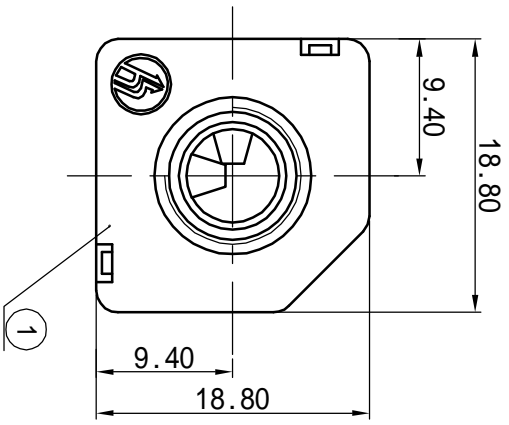


ALLOWANCE	
UNDER 3	± 0.1
3 TO 6	± 0.15
6 TO 15	± 0.2
15 TO 50	± 0.25
50 OVER	± 0.3



Specifications:  
 Rating : DC 50V, 1A.  
 Force:5-40N.  
 Contact resistance:  
 Less than30mΩ.  
 Insulation resistance:  
 Over 100MΩ on DC 500V  
 measured.  
 Voltage withstand :  
 AC 500V, For 1 minute.

6	SCREW	BRASS	1	NI PLATED
5	WASHER	SPCC T=0.7	1	NI PLATED
4	TERMINAL-B	BRONZE t=0.5	1	Ag PLATED
3	TERMINAL-A	BRASS t=0.5	1	Ag PLATED
2	SOCKET	BRASS	1	NI PLATED
1	HOUSE	PBT G30	1	BLACK
NO.:	PART NAME	MATERIAL	QTY	FINISHING

MODEL NO :	SJ-6362-6P	ALLOWANCE :	DRAWN BY :
TYPE :	6.35 PHONE JACK	UNIT :	mm
MATERIAL NO :		SCALE :	
PROJECTION			
		ZWEE CO., LIMITED	