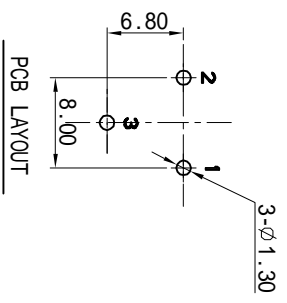
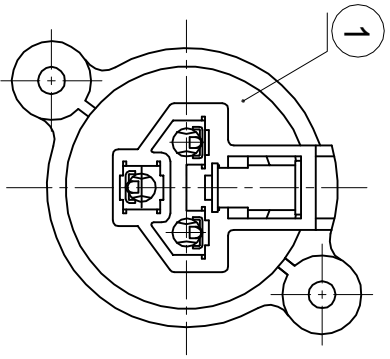
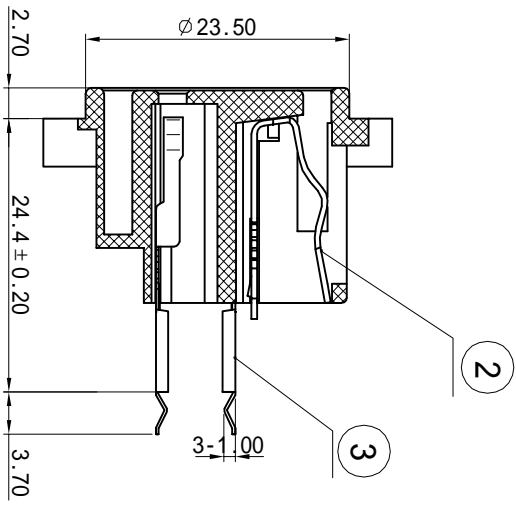
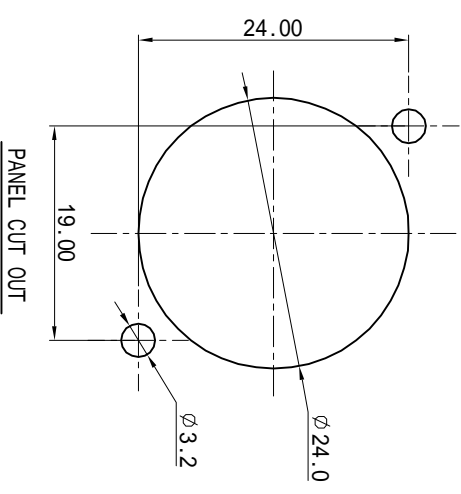
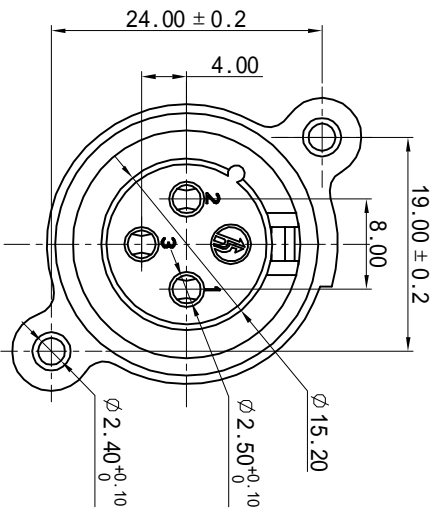


ALLOWANCE	
UNDER 3	± 0.1
3 TO 6	± 0.15
6 TO 15	± 0.2
15 TO 50	± 0.25
50 OVER	± 0.3



Specifications:
 Rating : DC 50V, 3A.
 Force: 5~40N.
 Contact resistance:
 Less than 30m Ω .
 Insulation resistance:
 Over 100M Ω on DC 500V measured.
 Voltage withstand :
 AC 500V, For 1 minute.

3	TERMINAL -B	BRONZE t=0.25	3	AU PLATED	MODEL NO :SPF-06H	ALLOWANCE:	DRAWN BY:
2	TERMINAL -A	65Mn	1	NI PLATED	TYPE : SP SOCKET	UNIT: mm	CHECKED BY:
1	HOUSE	PA66-G30	1	BLACK	MATERIAL NO :	SCALE:	APPROVED BY:
NO:	PART NAME	MATERIAL	QTY	FINISHING	PROJECTION	ZHENGWEI ELECTRONIC CO., LTD	